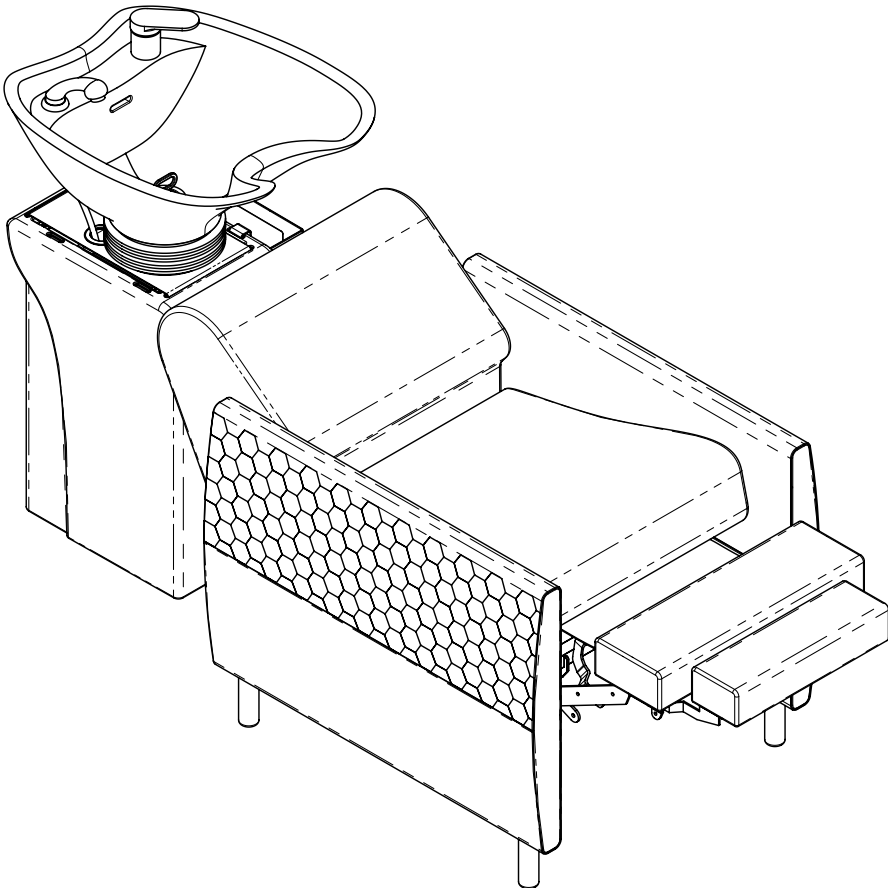


ellen washlounge

#1537

ELLEN ELECTRIC WASHLOUNGE WITH MASSAGE





IMPORTANT PLEASE READ THESE SAFETY INSTRUCTIONS

Listed below are essential safety precautions:

GENERAL SAFETY

1. Read carefully and keep these instructions in a safe place.
2. Use this product only for its intended function and do not use attachments not recommended by the manufacturer.
3. Do not use outdoors.

PLUMBING

1. This unit must be plumbed by a licensed plumber

ELECTRICAL APPLIANCES

1. All GPO's must be installed by a qualified Electrician in accordance with local electrical standards.
2. DO NOT allow children to operate the electric motors in this product.
3. Turn the power off and remove the plug when not in use.
4. Turn the power off and remove the plug when cleaning the chair cushions.
5. Do not let the power cord get damaged in any way.
6. Keep the power cord away from heat sources.
7. Do not use an extension cord unless the cord complies with local electrical safety standards.
8. Periodically inspect the power cord for signs of damage.
9. Do not operate any electrical item with a damaged power cord.



IMPORTANT
DO NOT ALLOW CHILDREN AROUND THE WASHLOUNGE WHEN IN USE

GET STARTED

HARRIET

Electric reclining wash lounge with massage.
Optional basin colour of black or white.

Width: 700mm

Length: 1500mm-1900mm

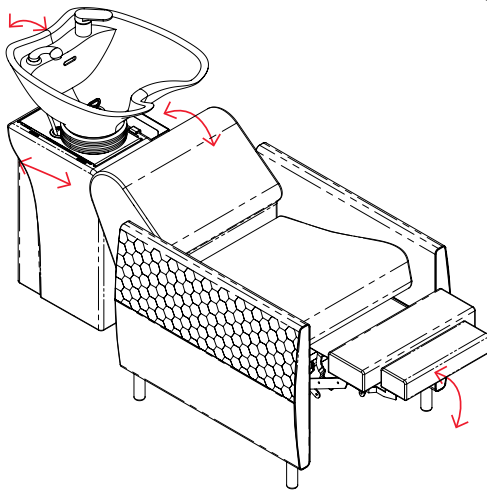
Basin Height: 900mm



WELS RATING
★★★★★

FUNCTIONS

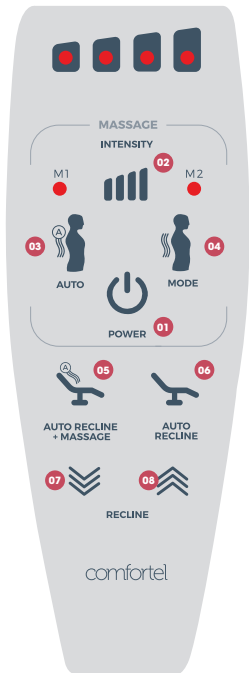
Sit in chair, using hand held remote the client can be reclined to suit the clients comfort.
Optional foot control also available.



OPERATION: HAND REMOTE MESSAGE & RECLINE

FUNCTIONS

1. Massage Power
2. Massage Intensity
3. Massage Auto Setting
4. Massage Custom Mode
5. Auto Recline & Massage
6. Auto Recline
7. Manual Recline Down
8. Manual Recline Up



FOR BEST SUPPORT PLEASE ADVISE CLIENT TO SIT WELL BACK INTO THE SEAT.

OPTIONAL UPGRADES



BATTERY BACKUP
Controls wash lounge when salon has no power

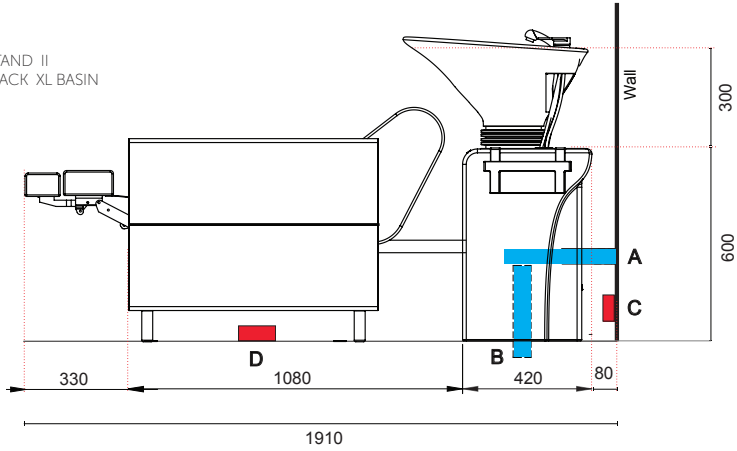


FOOT CONTROL

POSITIONING: BASIN STAND OPTION

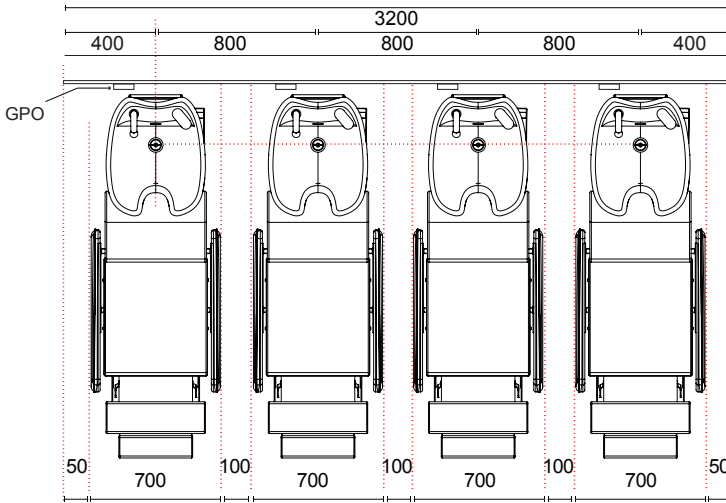
DIAGRAM A

PICTURED WITH
#10001-2 BASIN STAND II
WITH WHITE OR BLACK XL BASIN



If washing from rear of stand, add extra distance of 400mm from wall.

DIAGRAM B



If washing from side add 400mm between each chair.

All measurements are in mm.

PLUMBING ACCESS OPTIONS

Determine the best way to connect plumbing

OPTION 1: PLUMBING

From behind the basin stand connect plumbing to the wall. From the back of the stand, plumbing can be installed from a maximum height of 400mm from the floor.

OPTION 2: PLUMBING

From under the basin stand connect plumbing to the floor.

ELECTRICAL ACCESS FOR RECLINE AND MASSAGE

Determine the best way to connect Power.

OPTION C+D: GPO

Install GPO to the wall (option C) or under the chair (option D).

GPO 1 x GPO MAX 2A 240V, 50Hz



IMPORTANT

ALL PLUMBING MUST BE COMPLETED BY A LICENSED PLUMBER

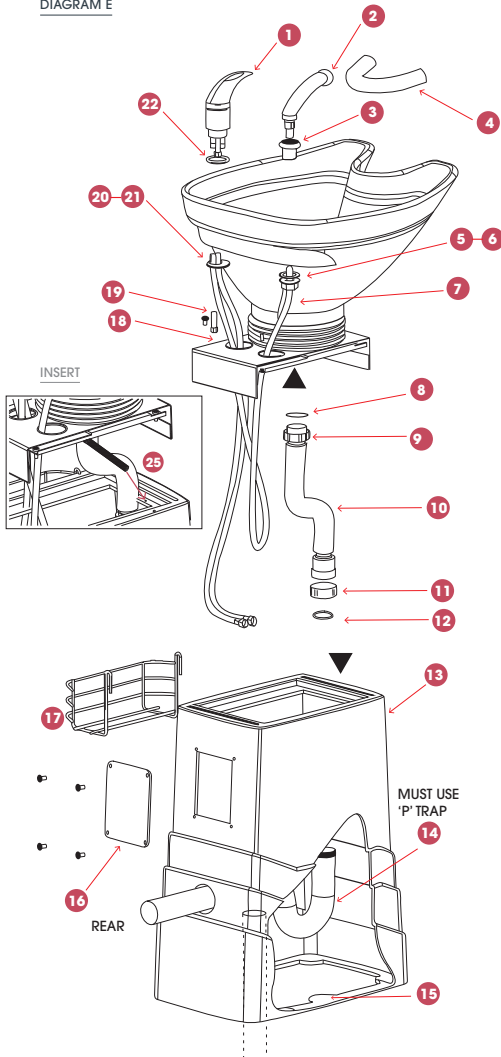


IMPORTANT

GPO'S MUST BE INSTALLED BY A QUALIFIED ELECTRICIAN IN ACCORDANCE WITH AUSTRALIAN STANDARDS.

INSTALLATION & ASSEMBLY: BASIN STAND WITH STANDARD BASIN OPTION

DIAGRAM E



COMFORTEL PRODUCT

#10000SA-25A BASIN STAND WITH WHITE OR BLACK BASIN

BEFORE INSTALLING YOU SHOULD CONSIDER THE FOLLOWING:

Allow for the necessary room around the unit for free movement.

- If installing against a wall, a minimum distance of 80mm between wall and bottom back of stand is required to allow free backward movement of basin.
- If plumbing location is in wall (see Diagram A), drill a hole in rear wall of stand. For neatness of finish it is preferable to bring water and waste into the stand in the same hole.
- If plumbing location is on floor (see Diagram A), place stand over.

STAND ASSEMBLY

1. Position stand as required. If plumbing location is in wall drill hole in rear of stand; if plumbing location is on the floor place stand over. (P trap not supplied).
2. Basin stand MUST be secured to the floor. Use middle lugs (Fasteners not supplied). Rear Access Panel may be removed to facilitate access.

BASIN ASSEMBLY

3. Install Flick Mixer using O-ring, plastic and metal washers & (Long Nut) and Shower Head using the Showerhose Basin Collar, O-ring, Foam Washer & Plastic Nut as indicated.
4. Place Flick Mixer and Shower Head Hoses through the holes in the Vinyl Strap.
5. Connect Flexible Waste Pipe to Plug and Waste which is already installed making use of the with Flat Seal and fitted Flange.

STAND-BASIN ASSEMBLY PLUMBING CONNECTION

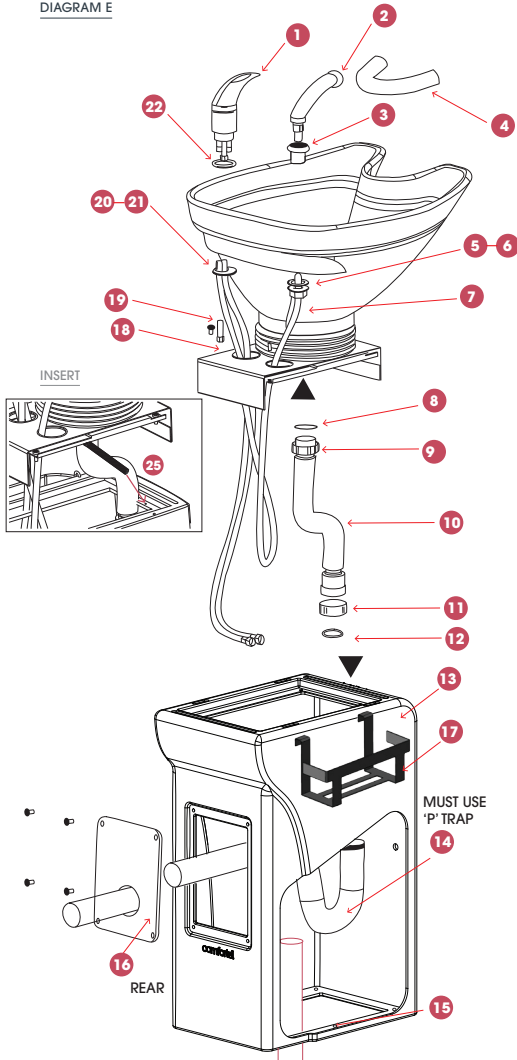
6. Connect Flexible Waste Pipe to P trap (not supplied) making use of Seal and Flange.
7. Using four screws found on top of Stand, fix assembled Basin to stand making use of holes at end of rail channels.
8. Connect hot and cold (1/2" connection) water braided hoses to respective supplies.
9. **Connect Basin Spring** which is already connected to the tilt and slide plate to the hole in the stand at the top left corner. (See insert)
10. Place both ends of Vinyl Cover into the slots provided on front and back of Stand.
11. Please attach Comfortneck to the basin.
12. Fit Shampoo Tray (optional extra) to the side of your choice.

BASIN ASSEMBLY

- | | |
|---------------------------|----------------------------------|
| 1 Flick Mixer | 13 Stand |
| 2 Showerhead | 14 P trap (not supplied) |
| 3 Showerhose basin collar | 15 Middle lugs |
| 4 Comfortneck | 16 Rear Access Panel |
| 5 Foam washers | 17 Shampoo tray (optional extra) |
| 6 Plastic nut | 18 Vinyl strap |
| 7 Showerhead hose | 19 Long nut |
| 8 Flat seal | 20 Plastic washers |
| 9 Fitted flange | 21 Metal washers |
| 10 Flexible waste pipe | 22 O-ring |
| 11 Flange | 23 Basin Spring |
| 12 Seal | |

INSTALLATION & ASSEMBLY: BASIN STAND II WITH XL BASIN OPTION

DIAGRAM E



COMFORTEL PRODUCT

#10001-1B BASIN STAND II WITH WHITE OR BLACK BASIN XL

BEFORE INSTALLING YOU SHOULD CONSIDER THE FOLLOWING:

Allow for the necessary room around the unit for free movement.

- If installing against a wall, a minimum distance of 80mm between wall and bottom back of stand is required to allow free backward movement of basin.
- If plumbing location is in wall (see Diagram A), drill a hole in rear wall of stand. For neatness of finish it is preferable to bring water and waste into the stand in the same hole.
- If plumbing location is on floor (see Diagram A), place stand over.

STAND ASSEMBLY

1. Position stand as required. If plumbing location is in wall drill hole in rear of stand; if plumbing location is on the floor place stand over. (P trap not supplied).
2. Basin stand **MUST** be secured to the floor. Use the floor mount holes (Fasteners not supplied). Rear Access Panel may be removed to facilitate access.

BASIN ASSEMBLY

3. Install Flick Mixer using O-ring, plastic and metal washers & (Long Nut) and Shower Head using the Showerhose Basin Collar, O-ring, Foam Washer & Plastic Nut as indicated.
4. Place Flick Mixer and Shower Head Hoses through the holes in the Vinyl Strap.
5. Connect Flexible Waste Pipe to Plug and Waste which is already installed making use of the with Flat Seal and fitted Flange.

STAND-BASIN ASSEMBLY PLUMBING CONNECTION

6. Connect Flexible Waste Pipe to P trap (not supplied) making use of Seal and Flange.
7. Using four screws found on top of Stand, fix assembled Basin to stand making use of holes at end of rail channels.
8. Connect hot and cold (1/2" connection) water braided hoses to respective supplies.
9. **Connect Basin Spring** which is already connected to the tilt and slide plate to the hole in the stand at the top left corner. (See insert)
10. Place both ends of Vinyl Cover into the slots provided on front and back of Stand.
11. Please attach Comfortneck to the basin.
12. Fit Shampoo Tray (optional extra) to the side of your choice.

BASIN ASSEMBLY

- | | |
|---------------------------|----------------------------------|
| 1 Flick Mixer | 13 Stand |
| 2 Showerhead | 14 P trap (not supplied) |
| 3 Showerhose basin collar | 15 Floor Mount Holes |
| 4 Comfortneck | 16 Rear Access Panel |
| 5 Foam washers | 17 Shampoo tray (optional extra) |
| 6 Plastic nut | 18 Vinyl strap |
| 7 Showerhead hose | 19 Long nut |
| 8 Flat seal | 20 Plastic washers |
| 9 Fitted flange | 21 Metal washers |
| 10 Flexible waste pipe | 22 O-ring |
| 11 Flange | 23 Basin Spring |
| 12 Seal | |

POSITIONING: BENCH KIT OPTION

WASHING FROM BEHIND BENCH CONFIGURATION

COMFORTEL PRODUCT REFERENCE
#10010-20 BENCH KIT WHITE OR BLACK BASIN
#10020-21 BASIN BENCH DOUBLE X 2

DIAGRAM C

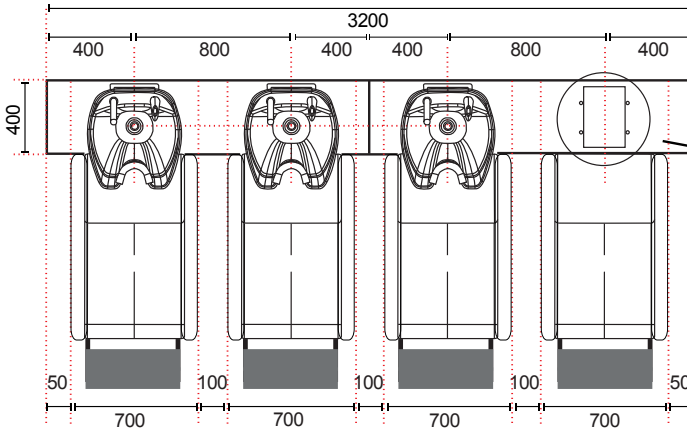


DIAGRAM E

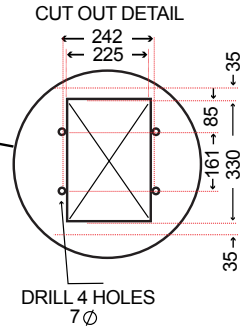
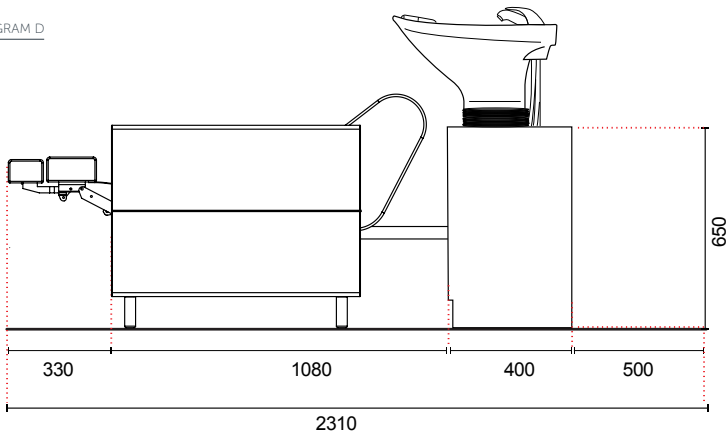


DIAGRAM D



All measurements are in mm.

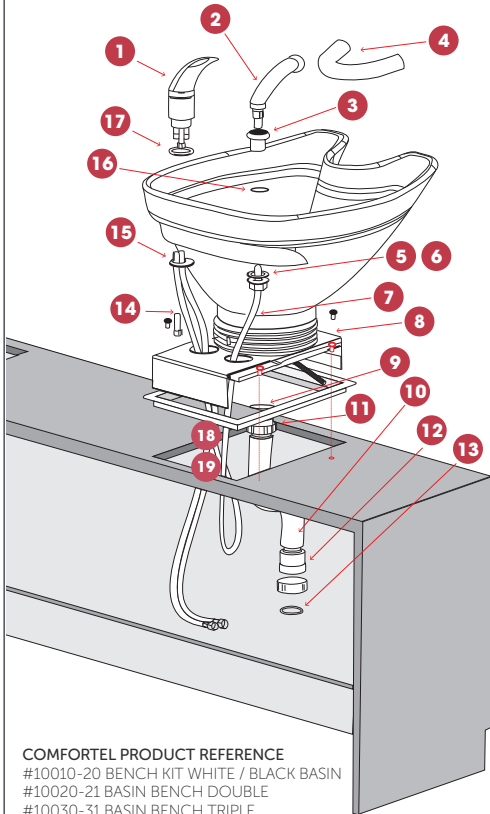
BASIN BENCH KIT

Choose this option if a bench kit is purchased. Basin Bench Kit is available in 2 or 3. For a 4 Position Bench, please see 4 Position Diagram, where 2 x Basin Bench Doubles are installed next to each other. Basin Bench Kit is recommended for situations requiring washing from behind when the plumbing is not through the floor.

For more information about the product go to www.comfortel.com.au.

INSTALLATION & ASSEMBLY: BENCH KIT OPTION

DIAGRAM F



COMFORTEL PRODUCT REFERENCE

#10010-20 BENCH KIT WHITE / BLACK BASIN
#10020-21 BASIN BENCH DOUBLE
#10030-31 BASIN BENCH TRIPLE

BENCH FIXING DETAIL

1. Position Bench as required.
2. Bench must be secured to the floor, or wall. (Fasteners not provided)
3. Seal base – seal the base of the bench inside and outside with silicone.

BASIN ASSEMBLY

4. Install Flick Mixer using the O-ring, plastic and metal washers & Long Nut, and Showerhead using the Showerhose Basin Collar, O-ring, Foam Washer and Plastic Nut as indicated.
5. Place Flick Mixer and Showerhead Hoses through the holes in the Vinyl Strap.
6. Connect Flexible Waste Pipe to Plug and Waste which is already installed making use of end with Flat Seal and fitted flange.

BENCH KIT ASSEMBLY

7. Using 4x40mm Stainless Steel bolts with spring washers and nuts (supplied) fix Bench Kit Frame to top of Bench.
8. Connect hot and cold (1/2" connection) water braided hoses to respective supplies.
9. Connect Flexible Waste Pipe (supplied) to P Trap (not supplied) making use of Seal and Flange.
10. Connect Basin Spring which is already connected to the tilt and slide plate to the hole in the Bench Kit Frame at the front left corner.
11. Place both ends of Vinyl Cover into the slots provided on front and back of Bench Kit Frame.

BASIN ASSEMBLY

- | | |
|---------------------------|----------------------------|
| 1 Flick Mixer | 11 Fitted flange |
| 2 Showerhead | 12 Flange |
| 3 Showerhose Basin Collar | 13 Seal |
| 4 Comfortneck | 14 Long nut |
| 5 Foam Washer | 15 Plastic & Metal Washers |
| 6 Plastic Nut | 16 O-ring |
| 7 Showerhead hose | 17 O-ring |
| 8 Vinyl Strap | 18 Basin spring |
| 9 Flat seal | 19 Bench Kit Frame |
| 10 Flexible Waste Pipe | |



IMPORTANT

ALL PLUMBING MUST BE COMPLETED
BY A LICENSED PLUMBER

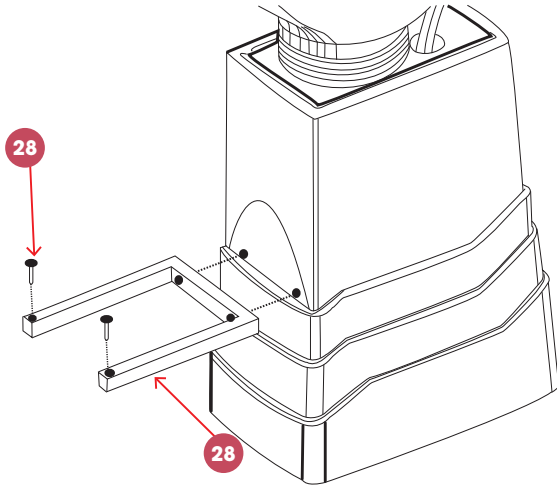


IMPORTANT

GPO'S MUST BE INSTALLED BY A QUALIFIED
ELECTRICIAN IN ACCORDANCE WITH
AUSTRALIAN STANDARDS.

INSTALLATION & ASSEMBLY: CHAIR TO BASIN STAND

DIAGRAM G **28** Connector

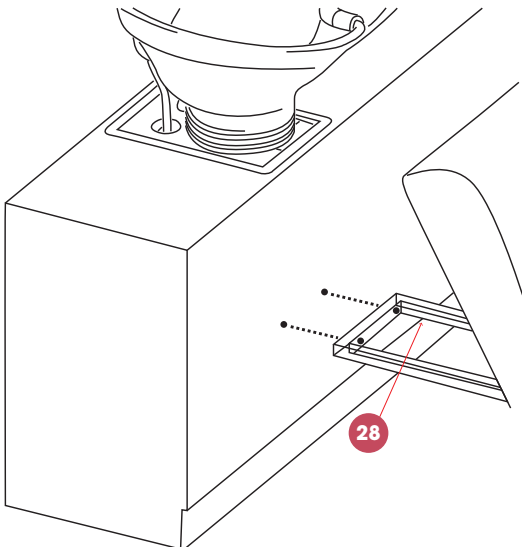


INSTALL CHAIR TO BASIN STAND

- Fix Connector to stand front using two bolts and nuts provided.

INSTALLATION & ASSEMBLY: CHAIR TO BASIN BENCH

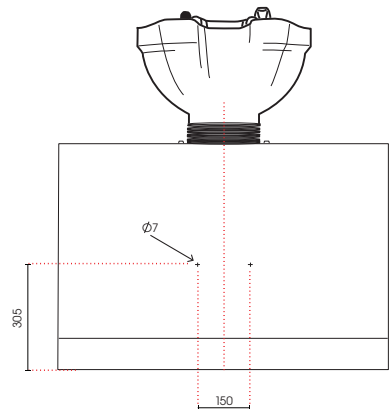
DIAGRAM H **28** Connector



INSTALL CHAIR TO BASIN BENCH

- Fix Connector to Bench front using two bolts and nuts provided. Refer to sketch for drilling details.
- It is recommended to install these brackets before installing bench for easy access.

DIAGRAM I



WARRANTY PERIOD

PERIOD AND DESCRIPTION	PRODUCTS
12 MONTHS PARTS & LABOR	All products
2 YEARS PARTS ONLY	All products excluding small electrical appliances
3 YEARS PARTS ONLY	Linak electric actuators
5 YEARS PARTS ONLY	Taps cartridge, ceramic basins

TERMS AND CONDITIONS

For more information about our warranty, please contact us at comfortel.com.au.

MAINTENANCE

A periodic inspection of all components and fasteners should be made to ensure that your Comfortel Product is structurally intact and functioning properly.

Damaged and broken parts should be replaced and loose fasteners tightened.

All maintenance to be carried out by a suitably qualified tradesperson.

HOW TO CHANGE A SHOWERHEAD

Please view our online video on how to change a showerhead:

www.youtube.com/user/Comfortel

CLEANING

UPHOLSTERY

- All upholstery needs some care; good housekeeping will help to prolong the life of any upholstered products.
- Avoid extreme temperatures. Extreme cold can make your vinyl prone to cracking, while extreme heat can cause permanent stretching.
- Avoid exposing to direct sunlight for prolonged periods of time.

ALWAYS FOLLOW THE CLEANING INSTRUCTIONS

- Clean regularly (weekly) to remove body oils which cause hardening
- To clean use a sponge which has been moistened in warm soapy water
- After cleaning with a sponge, dry with a soft, clean cloth
- Stubborn grime may require gentle scrubbing with a soft brush

Do not use:

- acetone
- furniture polishes
- bleach
- detergent
- abrasive cleaners
- steel wool

Damage caused by any improper treatment of this product is not covered by the product warranty.

comfortel

comfortel.com.au

PRODUCT CODE

#1537 ELLEN WASH LOUNGE

Revision Date: V1.31.07.2019

©Comfortel Furniture. All rights are reserved. No part of this document may be photocopied, reproduced or translated to another language without written consent of Comfortel Furniture Pty Ltd.

The information contained in this document is subject to change without notice and should not be construed as a commitment by Comfortel Furniture Pty Ltd.

Comfortel Furniture Pty Ltd. assumes no responsibility for any errors that may appear in this document nor does it make expressed or implied warranty of any kind with regard to this material, including, but not limited to, the implied warranties of merchantability and fitness for a particular purpose.

Comfortel Furniture Pty Ltd. shall not be liable for incidental or consequential damages in connection with or arising out of the use of this document and the program material.

PLEASE RETAIN THIS INFORMATION FOR FUTURE REFERENCE

For more information about our products and services, contact us at comfortel.com.au

PURCHASE DATE

INVOICE NUMBER

NOTE YOUR PURCHASE DATE & INVOICE NUMBER FOR FUTURE REFERENCE