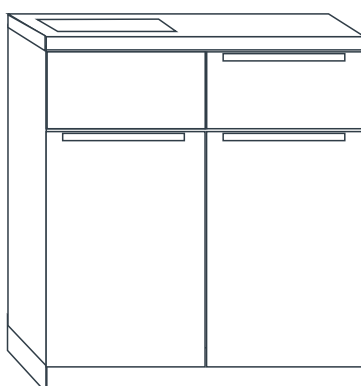
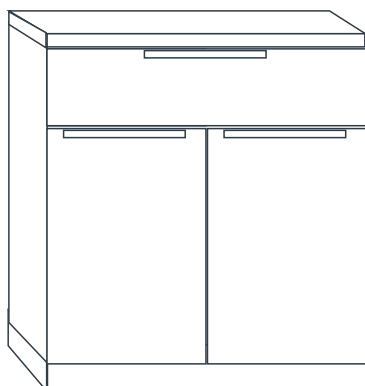
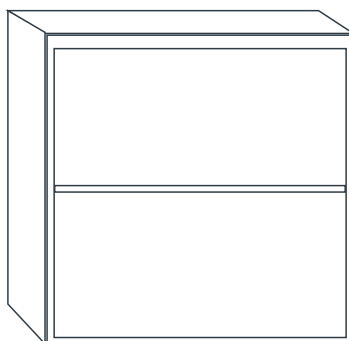
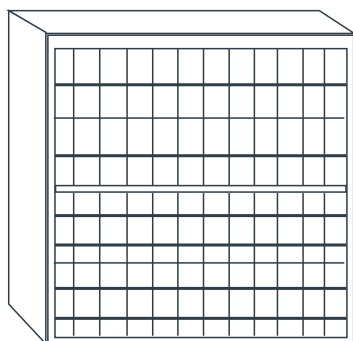


colour bar area

- #8850 COLOUR BAR CABINET WITH SINK
- #8851 COLOUR BAR CABINET
- #8854 COLOUR BAR TINT TUBE GRID
- #8855 COLOUR BAR WALL CABINET



ABOUT

COLOUR BAR

A dedicated colour area

With our customised Colour Bar Area you can choose your preferred combo set that creates an area that can be incorporated into the salon.

Easily organise your range of colours in a professional way, with ample storage, a stainless steel sink option with a black textured wood grain finish.



IMPORTANT PLEASE READ THESE SAFETY INSTRUCTIONS

GENERAL SAFETY

1. Read carefully and keep these instructions in a safe place.
2. Use this product only for its intended function and do not use attachments not recommended by the manufacturer.
3. Do not use outdoors.

PLUMBING

Product #8850 must be installed by a licensed plumber.

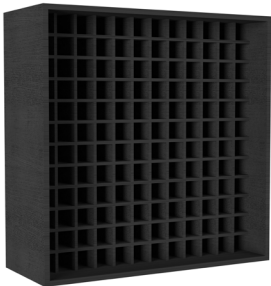


IMPORTANT: ALL PLUMBING MUST BE COMPLETED BY A LICENSED PLUMBER

PLUMBING ACCESS OPTIONS FOR COLOUR STATION WITH SINK
DETERMINE THE BEST WAY TO CONNECT PLUMBING. FLICK MIXER TAP SET NOT SUPPLIED

THIS MANUAL IS FOR

1



2



1

COLOUR BAR TINT TUBE GRID

Holds up to 144 x 100g Colour Tubes

W x D x H: 76cm x 30cm x 76cm

Colour: Wood Grain Black

STYLE NUMBER #8854

2

COLOUR BAR WALL CABINET

Create a Dedicated Colour Area

W x D x H: 76cm x 30cm x 76cm

Colour: Wood Grain Black

STYLE NUMBER #8855

3

COLOUR BAR CABINET

Create a Dedicated Colour Area

W x D x H: 76.5cm x 48cm x 91cm

Colour: Wood Grain Black

STYLE NUMBER #8851

4

COLOUR BAR CABINET WITH SINK

Create a Dedicated Colour Area

W x D x H: 76.5cm x 48cm x 91cm

Colour: Wood Grain Black

STYLE NUMBER #8850

3

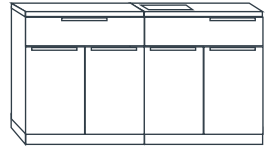
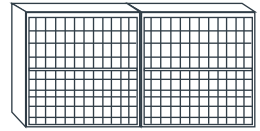
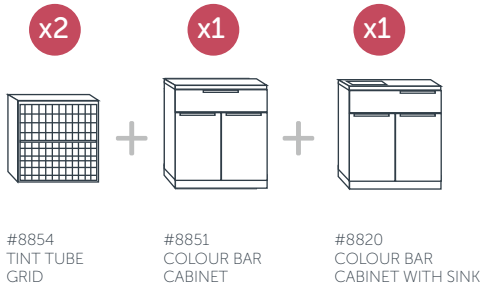


4

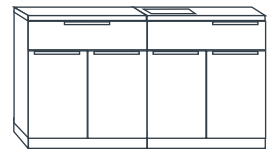
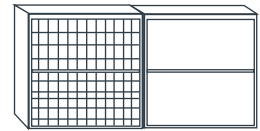
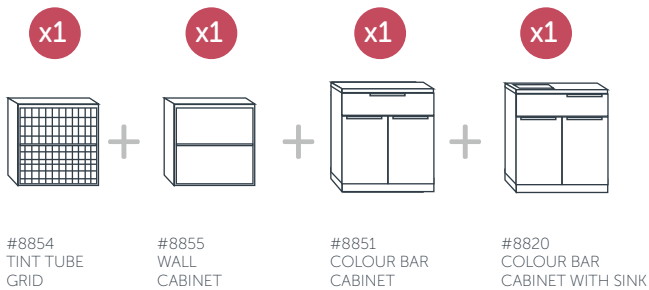


POSITIONING: COMBO COLOUR BAR SUGGESTIONS

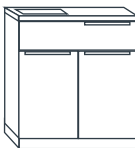
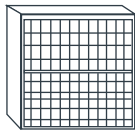
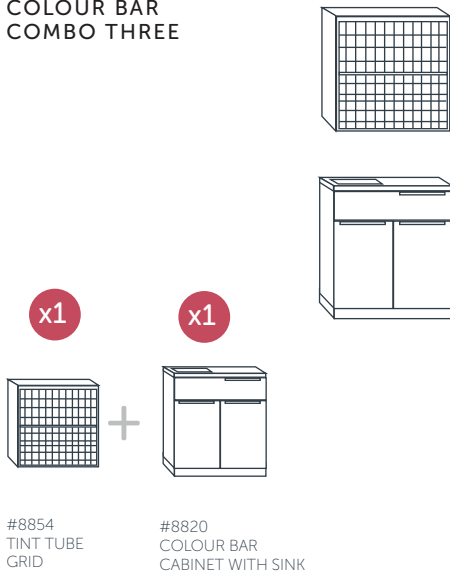
COLOUR BAR COMBO ONE



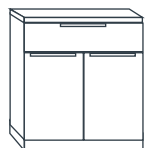
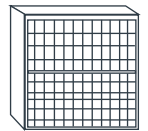
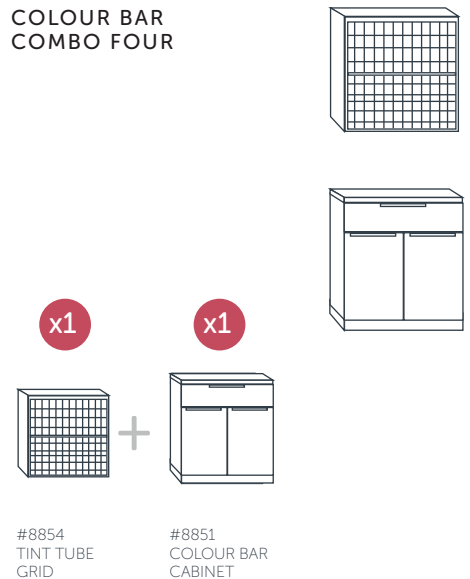
COLOUR BAR COMBO TWO



COLOUR BAR COMBO THREE



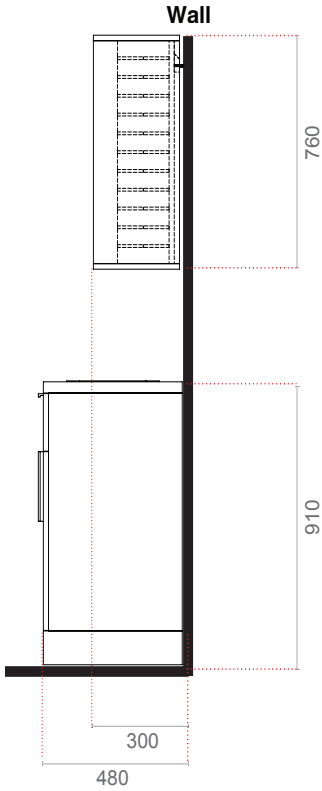
COLOUR BAR COMBO FOUR



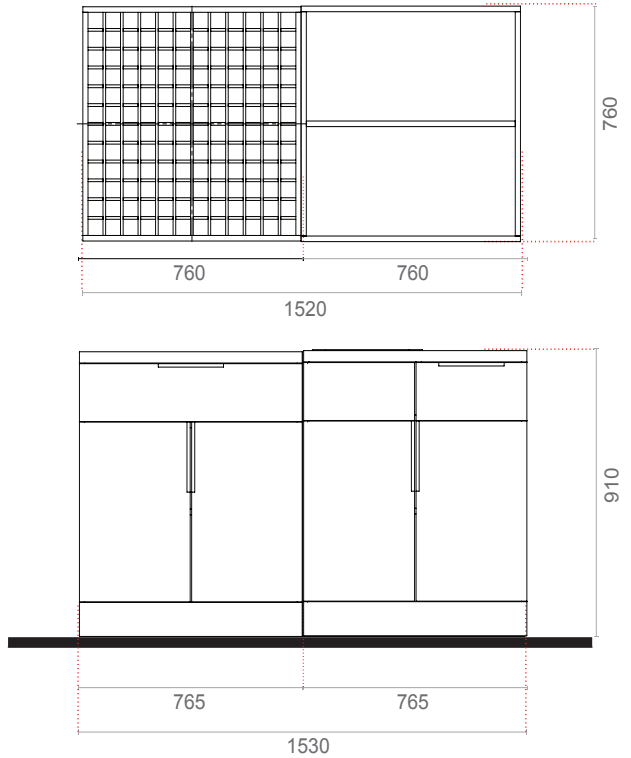
GET STARTED: POSITIONING & SIZE

Open each box and position the colour bar in your salon or space, allowing for height of top units.
Colour Bar Cabinets must be fixed to a wall. Allow for the necessary room in front of the unit for access.

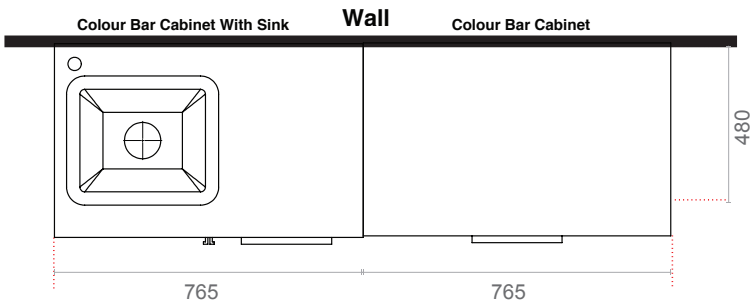
SIDE VIEW



FRONT VIEW



TOP VIEW

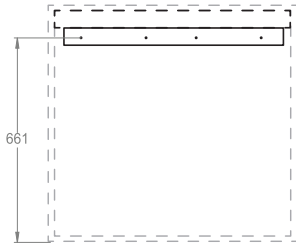


Shows 2 x colour stations with combination of sink and no sink

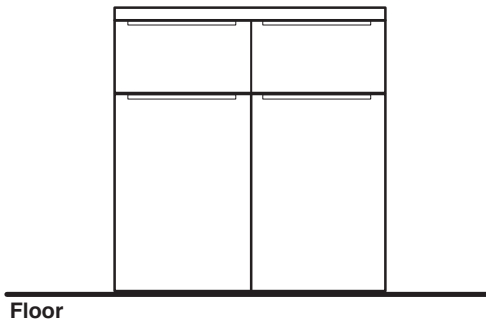
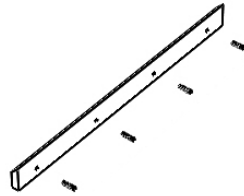
INSTALLATION: TINT TUBE GRID

STEP 1

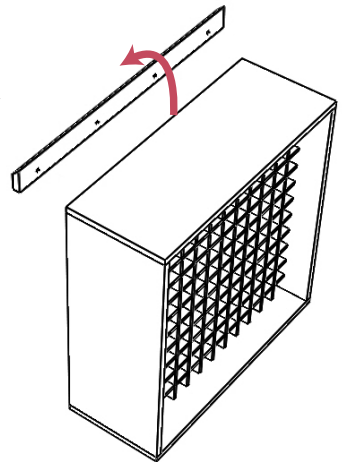
Wall



STEP 2



STEP 3



INSTALL THE TINT TUBE GRID

Step 1: Position wall cabinet bracket
Step 2: Drill holes in wall unit to suit and use secure to wall.
Please note: Screws to mount not supplied.
Step 3: Hook Cabinet into place.

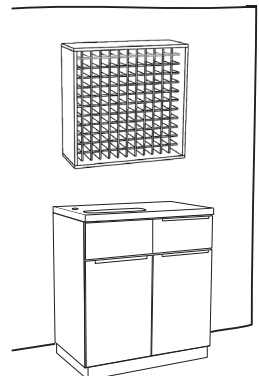


IMPORTANT

WALL FIXINGS NOT SUPPLIED. PLEASE REFER TO WALL CABINET WEIGHT WHEN INSTALLING TO DETERMINE BEST PRACTICE MOUNTING. WALL STUDS & NOGGINS ARE NOT REQUIRED WHEN INSTALLING.



FINAL

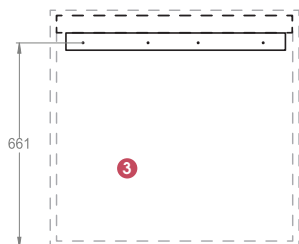


PLEASE USE CORRECT FIXTURES FOR MOUNTING BASED ON WALL TYPE. NO RESPONSIBILITY IS ACCEPTED FOR ANY DAMAGE OR INJURY CAUSED BY INCORRECT MOUNTING.

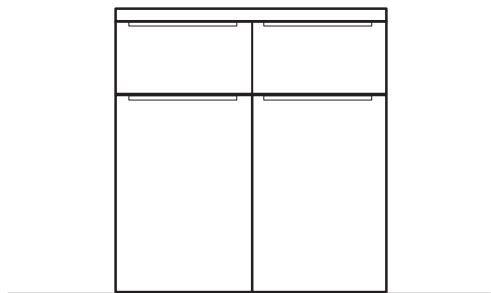
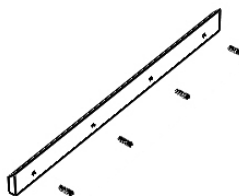
INSTALLATION: WALL CABINET

STEP 1

Wall

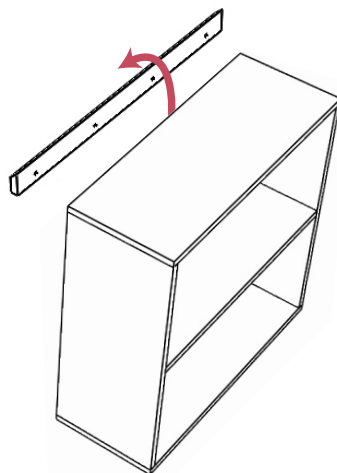


STEP 2



Floor

STEP 3



INSTALL THE WALL CABINETS

Step 1: Position wall cabinet bracket
Step 2: Drill holes in wall unit to suit and use secure to wall.
Please note: Screws to mount not supplied.
Step 3: Hook Cabinet into place.



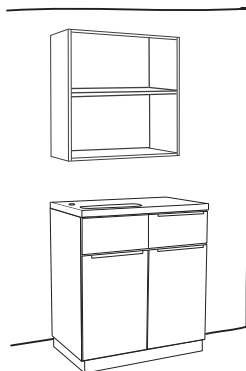
IMPORTANT

WALL FIXINGS NOT SUPPLIED. PLEASE REFER TO WALL CABINET WEIGHT WHEN INSTALLING TO DETERMINE BEST PRACTICE MOUNTING. WALL STUDS & NOGGINS ARE NOT REQUIRED WHEN INSTALLING.



NET WEIGHT
25kg
GROSS WEIGHT
50kg-60kg

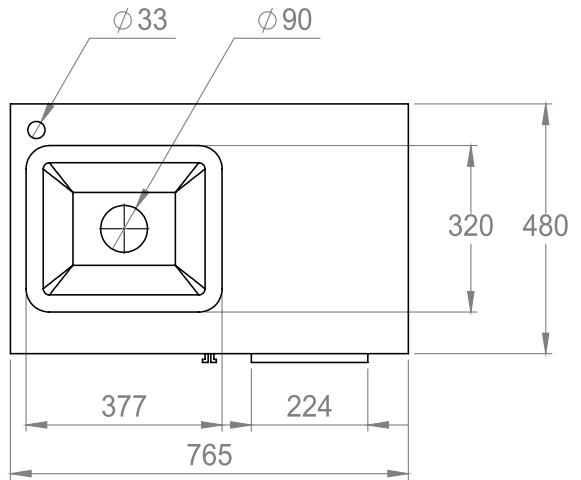
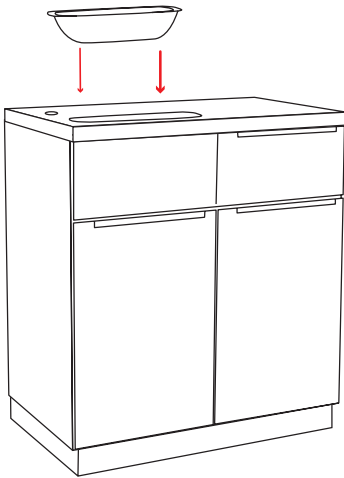
FINAL



PLEASE USE CORRECT FIXTURES FOR MOUNTING BASED ON WALL TYPE. NO RESPONSIBILITY IS ACCEPTED FOR ANY DAMAGE OR INJURY CAUSED BY INCORRECT MOUNTING.

INSTALLATION: SINK

SINK



INSTALL THE SINK

- We suggest using a licenced plumber to install the sink and plumbing.
- Place sink into position and secure with silicon.
- Install taps and drainage pipes as recommended by the plumber. (not supplied)
- Recommended: Fix Cabinet to the wall



IMPORTANT:

ALL PLUMBING MUST BE COMPLETED BY A LICENSED PLUMBER

PLUMBING ACCESS OPTIONS FOR COLOUR STATION WITH SINK

DETERMINE THE BEST WAY TO CONNECT PLUMBING. FLICK MIXER TAP SET NOT SUPPLIED

WARRANTY PERIOD

PERIOD AND DESCRIPTION	PRODUCTS
12 MONTHS PARTS & LABOR	All products
2 YEARS PARTS ONLY	All products excluding small electrical appliances
3 YEARS PARTS ONLY	All electric actuators
5 YEARS PARTS ONLY	Taps cartridge, Ceramic basins
10 YEARS PARTS ONLY	Gas-lifts and gas-lift swivel plates

TERMS AND CONDITIONS

For more information about our warranty, please contact us at comfortel.com.au.

CLEANING

- Clean regularly with everyday household cleaners.
- Dry with clean soft cloth (never use abrasive cleaners)

Do not use:

- acetone
- bleach
- abrasive cleaners
- furniture polishes
- detergent
- steel wool

MAINTENANCE

A periodic inspection of all components and fasteners should be made to ensure that your Comfortel product is structurally intact and functioning properly.

Damaged and broken parts should be replaced and loose fasteners tightened.

All maintenance to be carried out by a suitably qualified tradesperson.

comfortel

comfortel.com.au

PRODUCT CODE

#8850	COLOUR BAR CABINET WITH SINK
#8851	COLOUR BAR CABINET
#8854	COLOUR BAR TINT TUBE GRID
#8855	COLOUR BAR WALL CABINET

Revision Date: 5.12.2018

©Comfortel Furniture 1997-2019. All rights are reserved.
No part of this document may be photocopied, reproduced or translated to another language without written consent of Comfortel Furniture Pty Ltd.

The information contained in this document is subject to change without notice and should not be construed as a commitment by Comfortel Furniture Pty Ltd.

Comfortel Furniture Pty Ltd. assumes no responsibility for any errors that may appear in this document nor does it make expressed or implied warranty of any kind with regard to this material, including, but not limited to, the implied warranties of merchantability and fitness for a particular purpose.

Comfortel Furniture Pty Ltd. shall not be liable for incidental or consequential damages in connection with or arising out of the use of this document and the program material.

PLEASE RETAIN THIS INFORMATION FOR FUTURE REFERENCE.

For more information about our products and services, contact us at comfortel.com.au

PURCHASE DATE

INVOICE NUMBER

NOTE YOUR PURCHASE DATE & INVOICE NUMBER FOR FUTURE REFERENCE