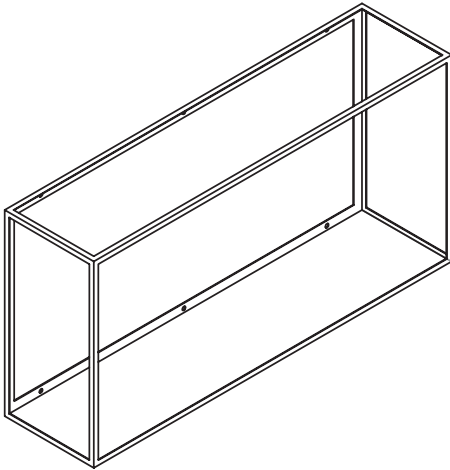


metal box rectangle

#7559
#7568

METAL RECTANGLE BOX
MESH METAL RECTANGLE BOX



GET STARTED

METAL BOXES RECTANGLE

Mountable Towel & Retail Display Box

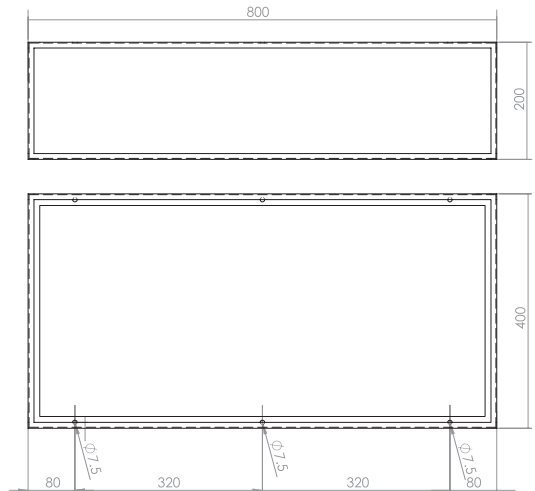
Width: 800mm

Height: 400mm

Depth: 200mm

Weight: 13.4Kg

Material: Steel, powder coated





IMPORTANT PLEASE READ THESE SAFETY INSTRUCTIONS

GENERAL SAFETY

1. Read carefully and keep these instructions in a safe place.
2. Use this product only for its intended function and do not use attachments not recommended by the manufacturer.
3. Do not use outdoors.

WEIGHT: 13.4kg



MAX LOAD: 5kg per section



PLEASE USE CORRECT FIXTURES FOR MOUNTING BASED ON WALL TYPE. NO RESPONSIBILITY IS ACCEPTED FOR ANY DAMAGE OR INJURY CAUSED BY INCORRECT MOUNTING.

INSTALLATION: RECOMMENDED WALL MOUNTING

MOUNTING TO WALL

1. Position box on wall
2. Using fixings (Not supplied), secure box to wall



IMPORTANT

WALL FIXINGS NOT SUPPLIED. PLEASE REFER TO WEIGHT WHEN INSTALLING TO DETERMINE BEST PRACTICE MOUNTING. WALL STUDS AND NOGGINS ARE NOT REQUIRED WHEN INSTALLING

CLEANING

GENERAL CLEANING

- We recommend the use of soapy water or approved cleaners.
- This product should not be cleaned with abrasive materials.
- Damage caused by any improper treatment is not covered by the product warranty

MAINTENANCE

- A periodic inspection of all components and fasteners should be made to ensure that your Comfortel product is structurally intact and functioning properly.
- Damaged and broken parts should be replaced and loose fasteners tightened.
- All maintenance to be carried out by a suitably qualified tradesperson.

comfortel

comfortel.com.au

The information contained in this document is subject to change without notice and should not be construed as a commitment by Comfortel Furniture Pty Ltd. Comfortel Furniture Pty Ltd. assumes no responsibility for any errors that may appear in this document nor does it make expressed or implied warranty of any kind with regard to this material, including, but not limited to, the implied warranties of merchantability and fitness for a particular purpose. Comfortel Furniture Pty Ltd. shall not be liable for incidental or consequential damages in connection with or arising out of the use of this document and the program material.

©Comfortel Furniture 1997-2018. All rights are reserved.
No part of this document may be photocopied, reproduced or translated to another language without written consent of Comfortel Furniture Pty Ltd.

PLEASE RETAIN THIS INFORMATION FOR FUTURE REFERENCE

For more information about our products and services, contact us at comfortel.com.au

PURCHASE DATE

INVOICE NUMBER

NOTE YOUR PURCHASE DATE & INVOICE NUMBER FOR FUTURE REFERENCE