

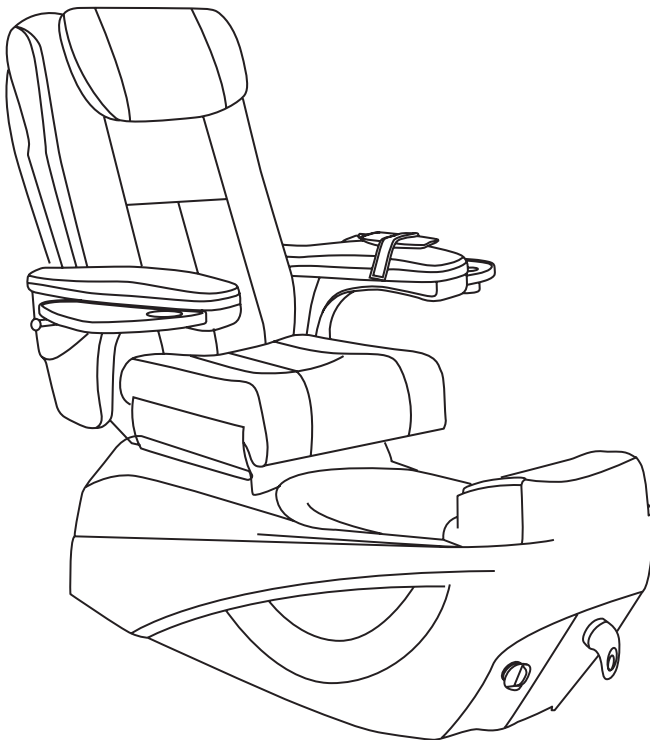
cleanspa pedicure spas

BASES

- #6825W CLEANSPA PEDICURE BASE WHITE
- #6825B CLEANSPA PEDICURE BASE BLACK
- #6823W CLEANSPA "V" PEDICURE BASE WHITE

CHAIR TOPS

- #6840 CLEANSPA PEDICURE CHAIR BLACK
- #6841 CLEANSPA PEDICURE CHAIR ACORN
- #6842 CLEANSPA ELEGANCE PEDICURE CHAIR WHITE LINEN



CLEANSPA BASE (#6825W, #6825B)
WITH CLEANSPA PEDICURE CHAIR (#6840, #6841)



CLEANSPA "V" BASE (#6823W)
WITH CLEANSPA PEDICURE
CHAIR (6840, 6841)



CLEANSPA BASE (#6825W, #6825B,
WITH CLEANSPA ELEGANCE
PEDICURE CHAIR (#6842)



IMPORTANT PLEASE READ THESE SAFETY INSTRUCTIONS

GENERAL SAFETY

1. Read carefully and keep these instructions in a safe place.
2. Use this product only for its intended function and do not use attachments not recommended by the manufacturer.
3. Never use this product if the flexible power cord is damaged and inspect regularly to ensure

PLUMBING

1. This unit must be plumbed by a licensed plumber.

CONTRAINDICATIONS

CLIENTS WITH ANY INFECTIOUS SKIN OR NAIL CONDITIONS, OR ANY OTHER PEDICURE CONTRAINDICATIONS.

CLIENTS WHO SUFFER FROM SERIOUS NECK OR BACK PROBLEMS MAY BE CONTRAINDICATED TO THE SHIATSU MASSAGE.

PREGNANT CLIENTS SHOULD NOT USE MASSAGE FUNCTION

ELECTRICAL APPLIANCES

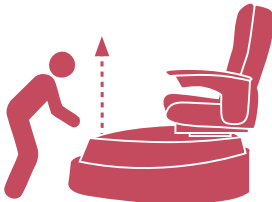
1. All GPO's must be installed by a qualified Electrician in accordance with local electrical standards.
2. DO NOT allow children to operate the electric motors in this product.
3. Turn the power off and remove the plug when not in use.
4. Turn the power off and remove the plug when cleaning.
5. Do not let the power cord get damaged in any way.
6. Keep the power cord away from heat sources.
7. Do not use an extension cord unless the cord complies with local electrical safety standards.
8. Periodically inspect the power cord for signs of damage.
9. Do not operate any electrical item with a damaged power cord.

PRECAUTIONS

1. This product is for indoor use only and is not recommended for use on carpet or wood floors.
2. DO NOT USE if you are diabetic, have poor circulation, or if any area of your feet or legs is inflamed or has an open sore. Consult your physician before using if you have any kind of fungal infection, swelling, fracture or persistent pain.
3. To reduce risk of injury, do not permit children to use this unit unless they are closely supervised at all times.
4. Excessive water temperature is dangerous, always check the water temperature BEFORE use. Maximum temperature of the water should never exceed 38°C.
5. Do not step or stand in foot basin.
6. Always enter and exit the Pedicure Spa slowly and carefully.
7. Maximum load for the spa chair is 120kg.
8. Proper installation in accordance with this manual is required. Failure to do so may result in serious injury and/ or warranty will be null and void. You must have a qualified licensed plumber connect the spa in place safely.
9. There are health regulations and codes that apply locally as well as some which are specific to each state. It is the owners responsibility to ensure they comply with all applicable regulations and codes.



CAUTION



**NEVER USE ANY PLUMBING FITTINGS
EG. TAPS OR FOOT RESTS TO LIFT OR MOVE
PEDICURE SPA**



IMPORTANT

ALL ELECTRICAL GPO'S MUST BE INSTALLED BY A QUALIFIED ELECTRICIAN IN ACCORDANCE WITH AUSTRALIAN STANDARDS.



CAUTION

DO NOT USE IF FLEXIBLE POWER CORD IS DAMAGED. ANY REPAIRS MADE TO PEDICURE SPA MUST BE CONDUCTED BY A QUALIFIED ELECTRICIAN ONLY.



IMPORTANT

ALL PLUMBING MUST BE COMPLETED BY A LICENSED PLUMBER

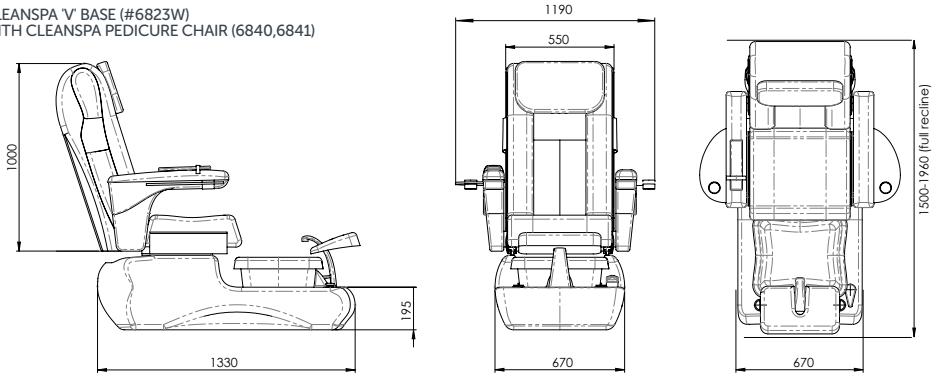


IMPORTANT

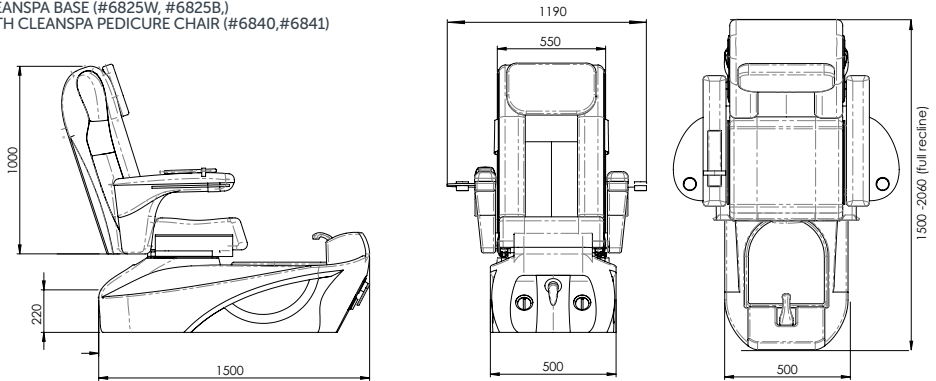
DO NOT ALLOW CHILDREN AROUND THE PEDICURE SPA WHEN IN USE

DIMENSIONS

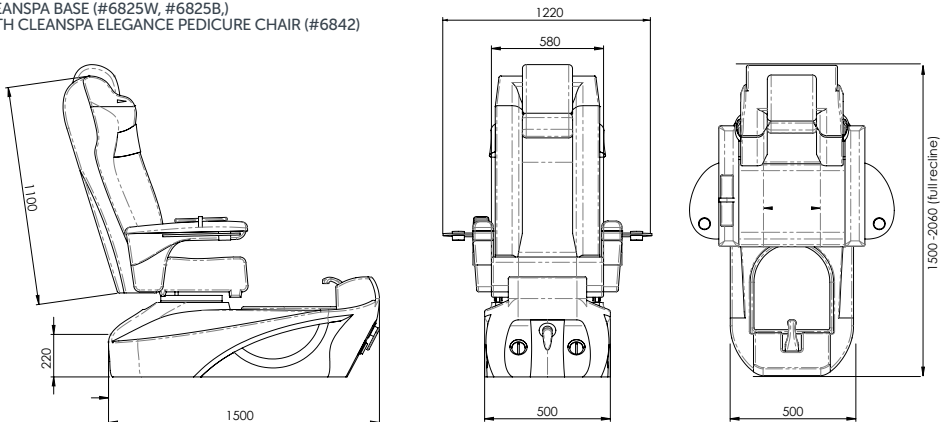
CLEANSPA V' BASE (#6823W)
WITH CLEANSPA PEDICURE CHAIR (6840,6841)



CLEANSPA BASE (#6825W, #6825B)
WITH CLEANSPA PEDICURE CHAIR (#6840, #6841)



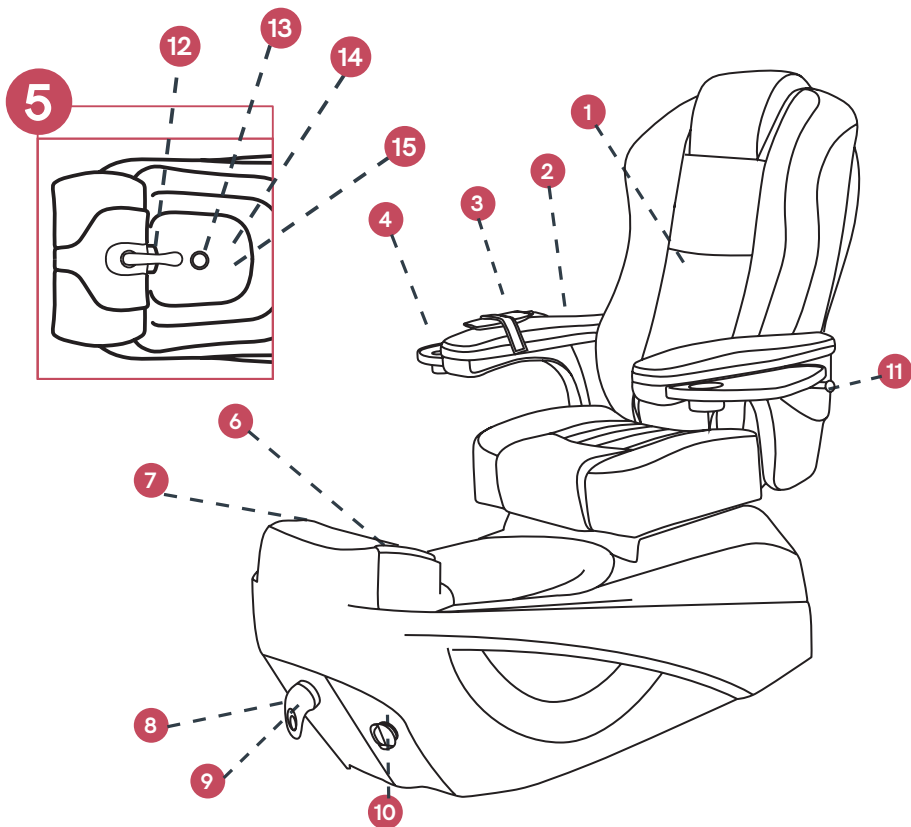
CLEANSPA BASE (#6825W, #6825B)
WITH CLEANSPA ELEGANCE PEDICURE CHAIR (#6842)



BEFORE INSTALLING YOU SHOULD CONSIDER THE FOLLOWING

- Allow for the necessary room around the unit for free movement.
- If installing against a wall, a minimum distance of 540mm between wall and bottom back of basin is required to allow free movement behind the chair.

GETTING STARTED



ABOUT

CLEANSPA BASE

with CleanSpa Elegance Pedicure Chair
(White Linen)

The ultimate in luxury pedicure spas, this pedicure spa is designed to be used with disposable Cleanspa basin liners.

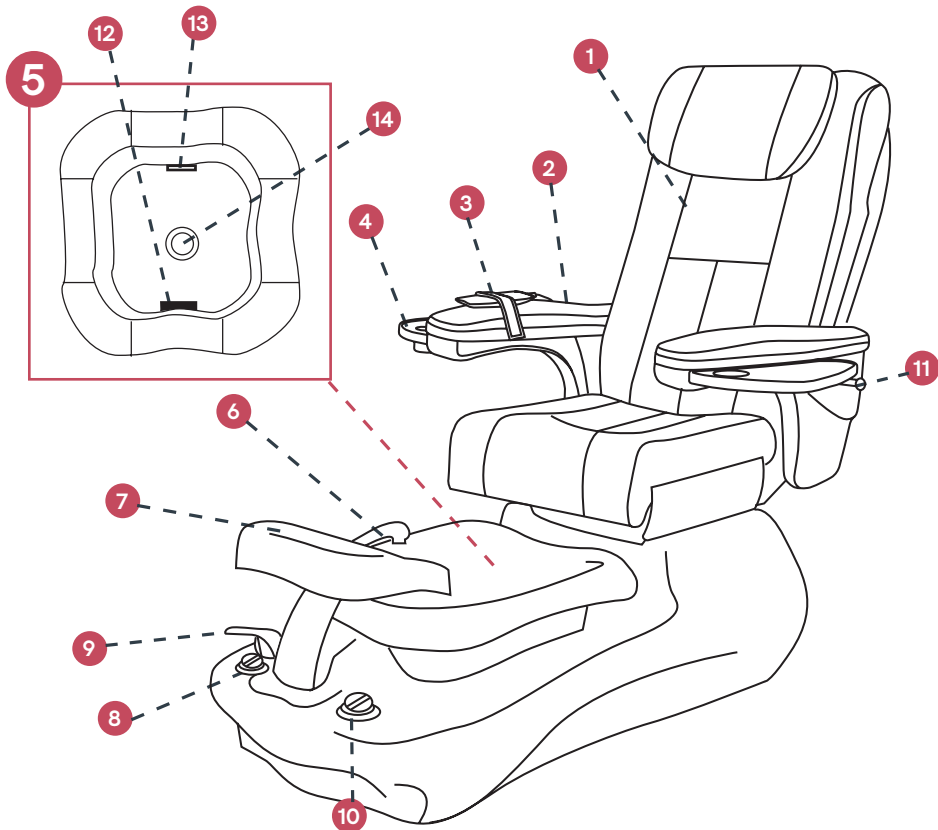
FEATURES:

- Electric Seat Adjustment
- Intelligent Auto-Fill
- Chromotherapy LED Basin
- Shiatsu multi-function massage system

PEDICURE SPA ASSEMBLY

- 1 Chair with Massage
- 2 Armrest
- 3 Shiatsu Massage Remote Control
- 4 Manicure-Tray
- 5 Wellness Chromotherapy Tub
- 6 Shower head
- 7 Footrest
- 8 On/Off Drainage with Discharge
- 9 On/Off Hot/Cold Water Flick Mixer
- 10 On/Off AutoFill with Jets
- 11 Bag Hook
- 12 Magnacleanse Magnetic Jet
- 13 Water Level Sensor
- 14 LED Chromotherapy Light Basin
- 15 Drain Stopper

GETTING STARTED



ABOUT

'V'CLEANSPA BASE

with CleanSpa Pedicure Chair

The ultimate in luxury pedicure spas, this pedicure spa is designed to be used with disposable CleanSpa basin liners.

FEATURES:

- Electric Seat Adjustment
- Chromotherapy LED Basin
- Shiatsu multi-function massage system
- Magnetic Jet & Drainage Pump

PEDICURE SPA ASSEMBLY

- 1 Chair with Massage
- 2 Armrest
- 3 Shiatsu Massage Remote Control
- 4 Manicure-Tray
- 5 Wellness Chromotherapy Tub
- 6 Shower head
- 7 Footrest
- 8 On/Off Drainage with Discharge
- 9 On/Off Hot/Cold Water Flick Mixer
- 10 On/Off Whirlpool Jets & LED Light
- 11 Bag Hook
- 12 Magnacleanse Magnetic Jet
- 13 LED Chromotherapy Light Basin
- 14 Drain Stopper

INSTALLATION: PLUMBING

DIAGRAM C

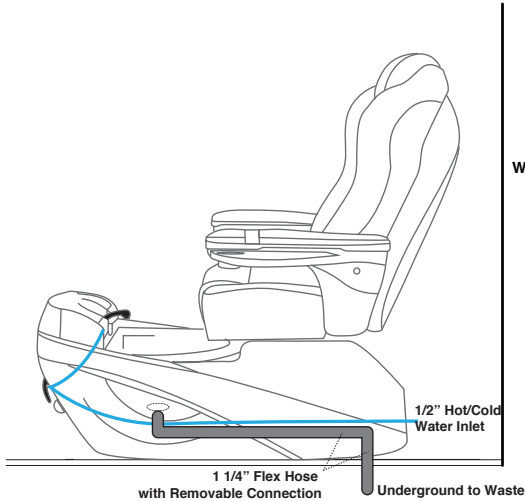
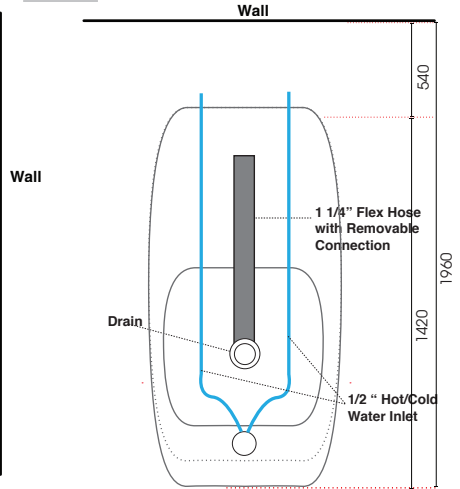


DIAGRAM D



OPTION 1: PLUMBING FLOW PATTERN FOR GRAVITY DRAIN

PLUMBING AND WASTE

Follow diagram above for plumbing specifications. All plumbing must be installed by a licensed plumber in accordance with local regulations.

DRAIN

The extraction drain pump is included with the unit. It designed to pump the waste from the pedicure spa where there is insufficient fall to allow gravity drainage. Refer to Diagram G for Drain System Recommendation. Extraction Pump can pump up to 2meters.

CONNECTION

1. Connect waste pipe (Installed) to 32mm waste outlet.
2. Connect hot and cold (1/2" connection) to respective hot and cold supplies.

ELECTRICAL REQUIREMENTS

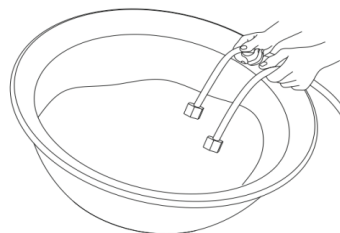
1 x 10 amp GPO required
240V, 50/60Hz, 2A

HOT AND COLD WATER SUPPLY LINES



ALWAYS USE NEW HOT/COLD WATER HOSES WHEN CONNECTING SPA TO PREVENT DEBRIS FROM CLOGGING DRAIN

1. Carefully connect 1/2" ID supply hoses (not provided) to fresh water source. Shut-off valves (not provided) should be utilised. Valves should be placed outside the tub for easy access.
2. Make sure to remove any and all debris and/or dust from the current hot/cold water pipes before connecting to the spa. To remove debris, turn on water and drain into a bucket or container (See illustration)



INSTALLATION: PLUMBING

DIAGRAM E

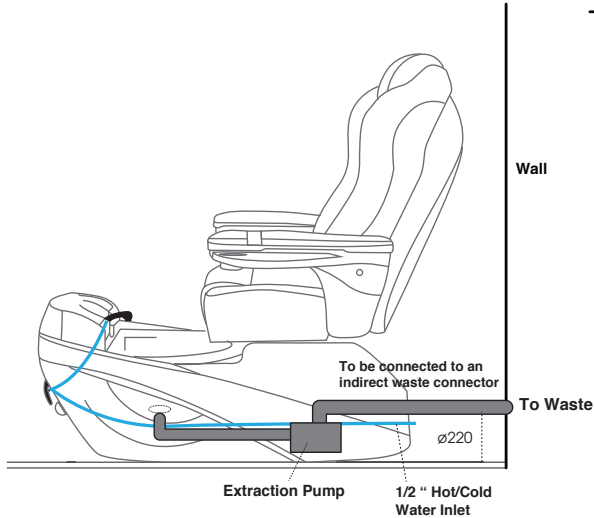
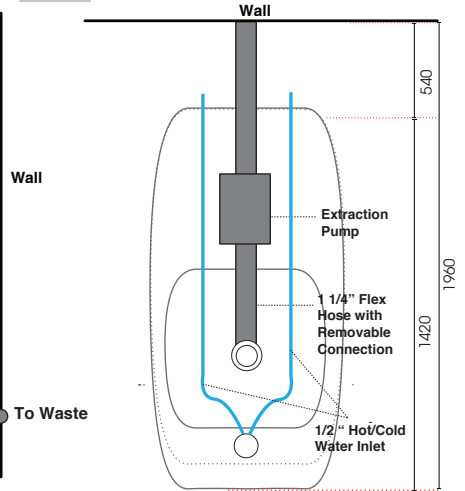


DIAGRAM F



OPTION 2: PLUMBING FLOW PATTERN WITH EXTRACTION/DRAIN PUMP

PLUMBING AND WASTE

Follow diagram above for plumbing specifications. All plumbing must be installed by a licensed plumber in accordance with local regulations.

REAR DRAIN

The extraction drain pump is included with the unit. It is designed to pump the waste from the pedicure spa where there is insufficient fall to allow gravity drainage. Refer to Diagram G for Drain System Recommendation. Extraction Pump can pump up to 2 meters.

CONNECTION

1. Connect waste pipe (Installed) to 32mm waste outlet.
2. Connect hot and cold (1/2" connection) to respective hot and cold supplies.

ELECTRICAL REQUIREMENTS

1 x 10 amp GPO required
240V, 50/60Hz, 2A

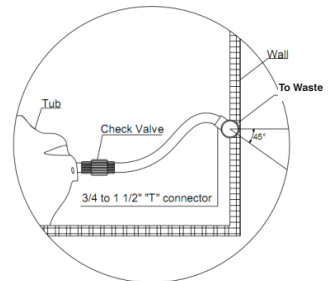


DIAGRAM G

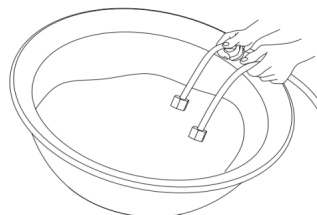
DRAIN SYSTEM RECOMMENDATION

HOT AND COLD WATER SUPPLY LINES



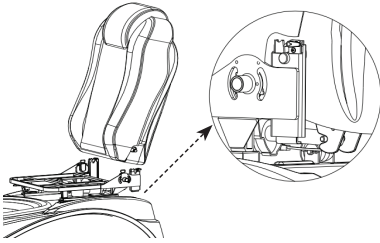
ALWAYS USE NEW HOT/COLD WATER HOSES WHEN CONNECTING SPA TO PREVENT DEBRIS FROM CLOGGING DRAIN

1. Carefully connect 1/2" ID supply hoses (not provided) to fresh water source. Shut-off valves (not provided) should be utilised. Valves should be placed outside the tub for easy access.
2. Make sure to remove any and all debris and/or dust from the current hot/cold water pipes before connecting to the spa. To remove debris, turn on water and drain into a bucket or container (See illustration)

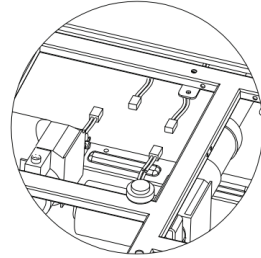


ASSEMBLY: CHAIR

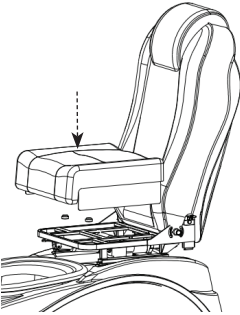
- 1** Line-up backrest frame and locking screws to the open trenches located on seat frame and system will auto lock the backrest frame.



- 2** Connect actuator power connectors by following wire's color.



- 3** Line-up & install 2 screws beneath the seat cushion onto seat frame.

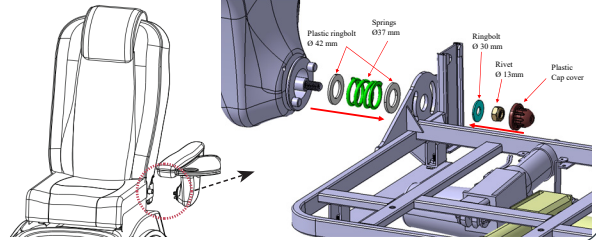


- 4** Attaching Armrests

Step 1: Put 2 plastic ringbolt $\varnothing 42$ mm and springs $\varnothing 37$ mm on the core of arm rest.

Step 2: Push the arm rest enough to place the ringbolt $\varnothing 30$ mm, turn rivet $\varnothing 13$ mm

Step 3: Step 3: Use wrench to turn rivet $\varnothing 13$ mm until cannot turn more and then put the cap cover on the screw.



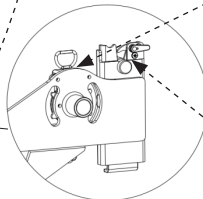
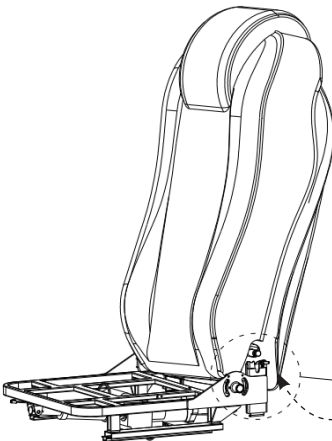
ASSEMBLY: REMOVING THE BACK REST

- 1** Lift up and release the latch located on the left under sides of the back rest



- 2** Pull up this lock ring to remove arm-rest

- 3** Lift up this latch to unlock and remove the back rest

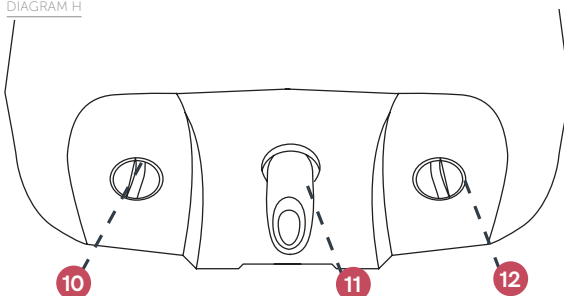


OPERATION: AUTOFILL & DRAINAGE (EXCLUDES CLEANSPA 'V' BASE)

FUNCTIONS

- 10 On/Off Drainage System with Discharge
- 11 On/Off Hot/Cold Water Flick Mixer
- 12 ON AutoFill & Jets

DIAGRAM H



GENERAL OPERATION WITH AUTOFILL

1. Turn Hot/Cold Flick Mixer to adjust optimal water temperature. To turn water on: Pull Hot/Cold Flick Mixer towards you. Water will fill up to reach the sensor level and activate the whirlpool jets
2. Water will automatically turn off when optimal water level is detected the sensor.
3. To turn water off: Push Hot/Cold Flick Mixer to turn off water. The switch can be activated to turn on or turn off water any time during the AutoFill cycle.

NOTE: MAKE SURE YOU PUSH DOWN (TURN OFF) FLICK MIXER WHEN WATER HAS STOPPED OR NOT IN USE.

TURN ON AUTO-FILL/JET KNOB WHEN:

WATER IS RUNNING, SYSTEM WILL RESUME WATER IS TURNED OFF.

WHIRLPOOL JET IS RUNNING, SYSTEM WILL RESUME AND TURN OFF JET

WATER IS FULL AND JET IS OFF, SYSTEM WILL RESUME WITH FILLING UP WATER FOR 3SEC AND TURN JETS ON.

WHEN WATER LEVEL IS LOW, SYSTEM WILL RESUME AND FILL UP WATER PRIOR TO ACTIVATING WHIRLPOOL JET

DRAINAGE

When activating the switch, it will raise the drain-stopper and power up the drain pump (if exist) at the same time.

To drain water:

Turn the drain knob clockwise. Drain pump is activated.

To turn off the drain pump:

Turn the drain knob counter-clockwise.

NOTE: REMEMBER TO RESET THE DRAIN KNOB TO THE VERTICAL POSITION TO CLOSE THE DRAIN STOPPER PRIOR TO FILLING WITH WATER.



USER TIP

CLOSE DRAIN TO TURN OFF DRAINAGE PUMP WHEN BOWL IS EMPTY

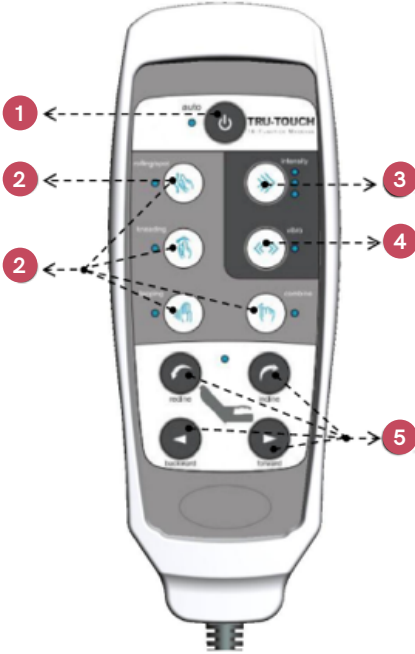
AUTOFILL FUNCTION WITH LINERS

When using disposable Cleanspa liners, the liner can sit over the sensor as pictured.



WATER SENSOR MUST BE CLEANED FREQUENTLY TO ENSURE WATER STOPS AT SENSOR LEVEL. CLEAN WITH SPONGE BUFFER IF NECESSARY.

OPERATION: SHITASHU MASSAGE REMOTE



OPERATING THE REMOTE

1 POWER ON/OFF

Press Power Button to start Auto mode.
Press again to turn off massage.

Auto and Manual mode will run for duration of 20min.

2 MASSAGE MODE ON/OFF

Press any button (Rolling/Spot, Kneading, Tapping, Combine) to enter Manual mode

Press Rolling/Spot to stop rolling up/down and stop at desired spot.

3 INTENSITY ON/OFF

Press Intensity button to select tapping intens

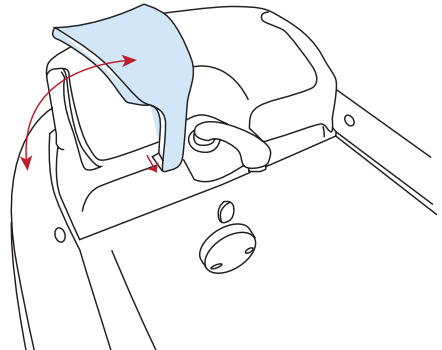
4 VIBRATION ON/OFF

Vibro Button is an option. Pressing this button will resume with Tapping action.

5 SEAT ADJUSTMENT

Press any chair button (Recline, Incline, Backward, Forward) to move the chair to desired positions

OPERATION: CALF SUPPORT



OPERATING CALF SUPPORT

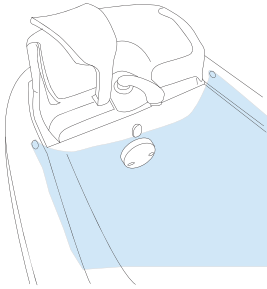
1. To open Calf Support turn into position from the side.
2. To close calf support, slightly pull out and turn to sit into position and lock into place.

CLEANING RECOMMENDATIONS

FOOT BATH



THE PEDICURE SPA TUB/FOOT BATH MUST BE CLEANED BETWEEN EVERY CLIENT



- Drain water from the tub by piecing the bag above the drain. Once water is drained dispose of the Clean Spa Liner.
- We recommend cleaning with Spa Giene or Pedi Giene. These are approved spa cleaners and hospital grade disinfectants. They will remove oily product residues, break down biological wastes (skin cells, oils etc) and disinfect the foot bath to stop cross-contamination and the spread of infections.
- Spray the inside of the Spa with diluted (1:4 dilution) Spa Giene. Eg.100mLs of spa cleaner to 300mL water Or 250mL spa cleaner to 750mL water.
- Use the hand held shower and a cloth or sponge to rinse any residue out of the tub.
- Wipe the inside of the foot bath clean with a non-abrasive cloth (eg Chux cloth or sponge) and dry all surfaces thoroughly.
- The chair, foot-rest and surrounding surfaces may be wiped clean with a soft cloth and mild non-abrasive surface cleaning agent.
- Add a fresh disposable Clean Spa Liner for the next client.

MAGNACLEANSE- MAGNETIC JET



THE MAGNETIC CAP MUST BE CLEANED BETWEEN EVERY CLIENT



- Remove the magnetic jet cap from the bowl.
- Turn Counter-clockwise to open the cap.
- Scrub clean each part of the magnetic jet cap.
- Soak the magnetic jet cap in diluted Spa Giene or Pedi Giene for 3-5 minutes
- Rinse thoroughly and dry with a soft lint free cloth
- Clip the magnetic jet cap inside a fresh liner ready to use.

CLEANING RECOMMENDATIONS

CHAIR & UPHOLSTERY

- All upholstery needs some care; good housekeeping will help to prolong the life of any upholstered products.
- Avoid extreme temperatures. Extreme cold can make your vinyl prone to cracking, while extreme heat can cause permanent stretching.
- Avoid exposing your products to direct sunlight for prolonged periods of time.
- Clean regularly (weekly) to remove body oils which cause hardening.
- To clean use a sponge which has been moistened in warm soapy water.
- After cleaning with a sponge, dry with a soft, clean cloth.
- Stubborn grime may require gentle scrubbing with a soft brush.

GENERAL SURFACES

- To clean use a sponge which has been moistened in warm soapy water.
- After cleaning with a sponge, dry with a soft, clean cloth.
- Stubborn grime may require gentle scrubbing with a soft brush.

DO NOT USE

- furniture polishes, bleach, detergent, abrasive cleaners or steel wool
- Damage caused by any improper treatment is not covered by the product warranty

MAINTENANCE

A periodic inspection of all components and fasteners should be made to ensure that your pedicure spa is structurally intact and functioning properly. Damaged and broken parts should be replaced and loose fasteners tightened. All maintenance to be carried out by a suitably qualified tradesperson.

comfortel

comfortel.com.au

1 x10 amp GPO required
240V, 50/60Hz, 2A

Revision Date: 15.04.2019

©Comfortel Furniture 1997-2019. All rights are reserved.
No part of this document may be photocopied, reproduced or translated to another language without written consent of Comfortel Furniture Pty Ltd.

The information contained in this document is subject to change without notice and should not be construed as a commitment by Comfortel Furniture Pty Ltd.

Comfortel Furniture Pty Ltd. assumes no responsibility for any errors that may appear in this document nor does it make expressed or implied warranty of any kind with regard to this material, including, but not limited to, the implied warranties of merchantability and fitness for a particular purpose.

Comfortel Furniture Pty Ltd. shall not be liable for incidental or consequential damages in connection with or arising out of the use of this document and the program material.

PLEASE RETAIN THIS INFORMATION FOR FUTURE REFERENCE

For more information about our products and services, contact us at comfortel.com.au

WARRANTY PERIOD

PERIOD AND DESCRIPTION	PRODUCTS
12 MONTHS PARTS & LABOR	All products
2 YEARS PARTS ONLY	All products excluding small electrical appliances
3 YEARS PARTS ONLY	All Linak electric actuators
5 YEARS PARTS ONLY	Taps cartridge, Ceramic basins

TERMS AND CONDITIONS

For more information about our terms and conditions including warranty, please refer to our website.

PURCHASE DATE

INVOICE NUMBER

NOTE YOUR PURCHASE DATE & INVOICE NUMBER FOR FUTURE REFERENCE